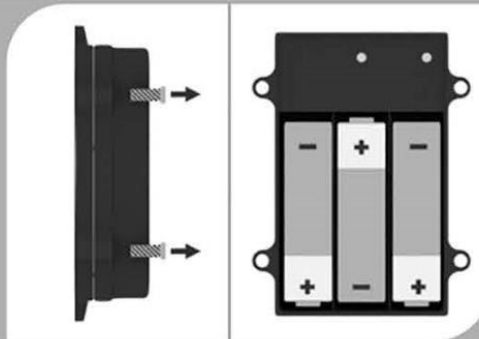


# Battery Unit Installation

1

Remove the four screws and lid on the battery unit and insert 3 AA 1.5 V batteries as shown. Re-attach the screws and lid.



2

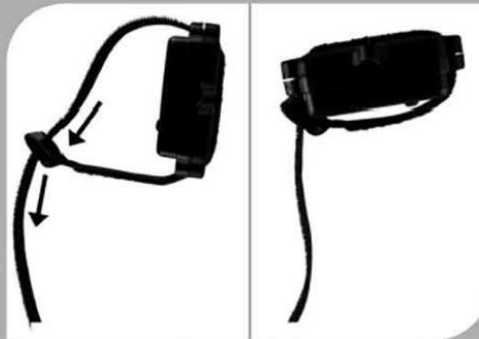
Choose the location to mount the battery pack. We recommend two locations.

**WARNING:** Do not mount the battery pack near or on moving parts, or where it has the potential to become near moving parts.



3

Wrap the mounting strap around the center of the unit, with the smooth side facing the battery unit, feeding the strap through the buckle. Pull tight.



4

Wrap the excess strap around the chosen mounting location, tightly securing the end of the strap on the the battery unit. Make sure that the on/off button is accessible after mounting.



5

Ensure that the battery unit is secured. Remove strap and tighten if needed.



# Light String Installation

1

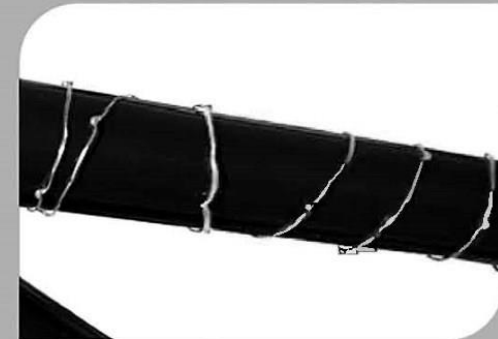
Decide where you want to place the lights.

**Warning:** Do not string the lights on or in proximity of moving parts. Do not mount in any area that would preventing turning (e.g. Handlebars).



2

Wind the lights around the part of the frame you wish to light up.



3

Secure the end of the light string with a ziptie, one LED light before the end of the string.

